

Quick Installation Guide

KS156P-EHL & KS215P-EHL

15.6" & 21.5" Industrial Touch Panel PC

www.dfi.com

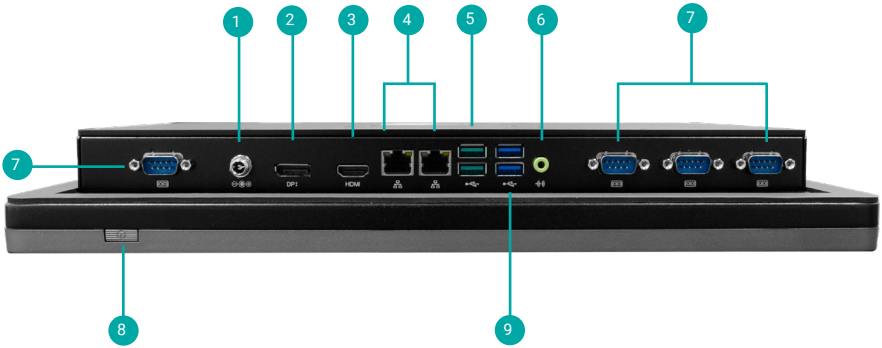


Package Contents

1 x Touch Panel PC
1 Quick Installation Guide

Product Overview

I/O Views



1 DC-In

2 DP++

3 HDMI

4 2.5G LAN

5 USB 3.2 Gen1

6 Line-Out

7 COM Ports 1~4

8 Power Button

9 USB 3.2 Gen2

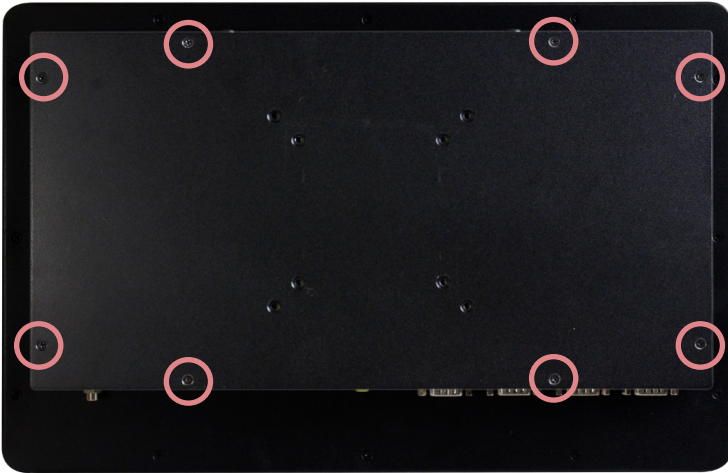
Removing the Chassis Cover

Please observe the following guidelines and follow the instructions to open the system.

1. Make sure the system and all other peripheral devices connected to it have been powered off.
2. Disconnect all power cords and cables.

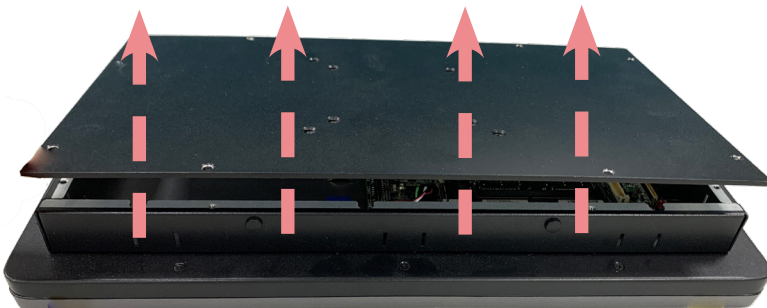
Step 1:

The 8 screws of the system are used to secure the cover to the chassis. Remove the screws and put them in a safe place for later use.



Step 2:

Lift the cover to open the system.



Mounting Options

Wall Mount

Step 1:

Select a place on the wall where you will mount the Panel PC.

Step 2:

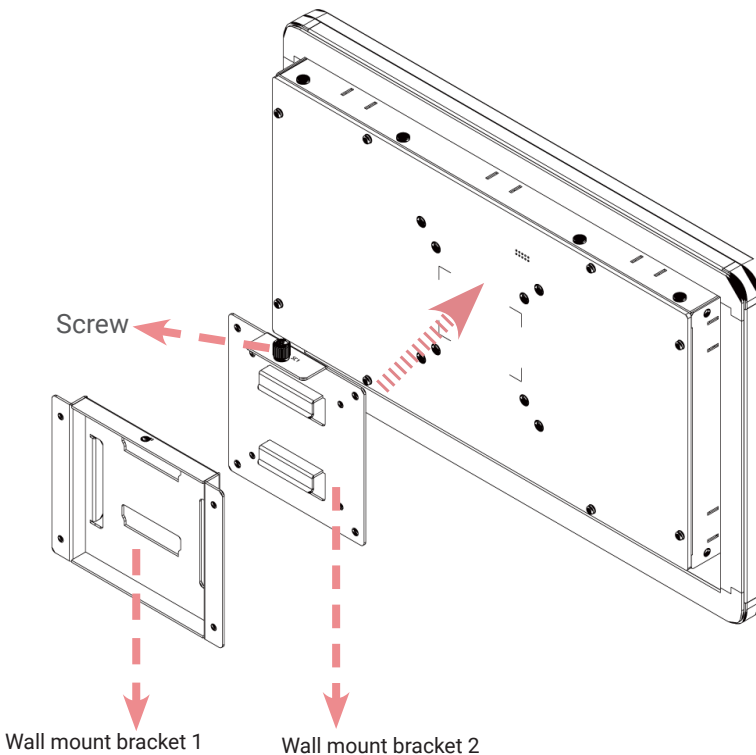
Use the provided mounting screws to attach wall mount bracket 1 onto the wall.

Step 3:

Attach the other bracket (wall mount bracket 2) to the rear of the Panel PC.

Step 4:

Slide the Panel PC to wall mount bracket 1 and attach the two brackets together with the hooks. Then tighten the screw to secure the assembly in place.



Panel Mount - KS156P-EHL

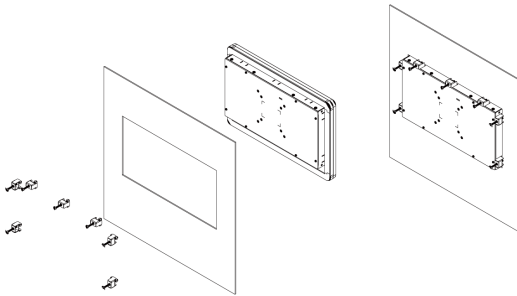
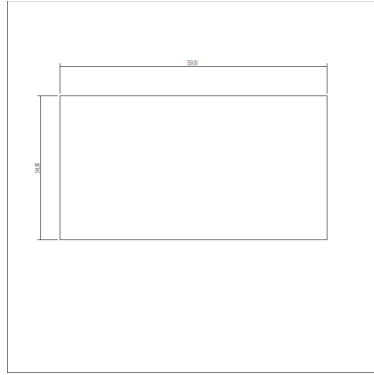
Step 1:

Select a place on the panel (or wall) where you will mount the Panel PC.

Step 2:

Cut out a shape on the panel that corresponds to the Panel PC's rear dimensions (359mm x 194mm) and ensure that the Panel PC can be fitted into the panel properly.

The flat panel thickness is less than 3mm. Be sure to route or trim down the thick wall to 3 mm or slightly less for the clamps to recess and be compatible with your wall or enclosure.



Step 3:

Insert the Panel PC from the outside surface of the panel into the mounting hole until it is properly fitted against the panel.

Step 4:

Position the mounting clamps along the rear edges of the Panel PC and insert them into the slits around the Panel PC.

Step 5:

The first and second clamps must be positioned and secured diagonally prior to mounting the rest of the clamps. Tighten the clamp's screw using an electric screwdriver by pressing the white plastic cap onto the back of the panel. The illustration below shows that all clamps are properly mounted.

Panel Mount - KS215P-EHL

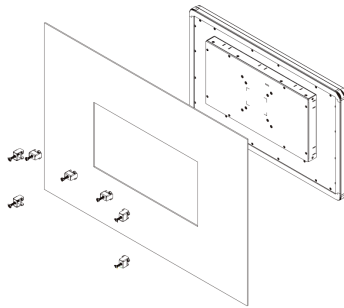
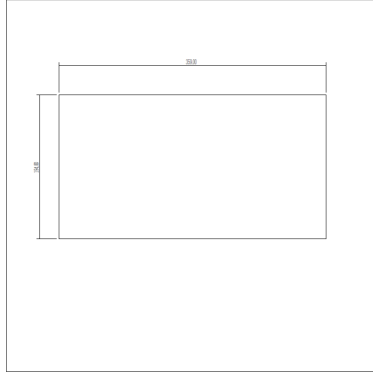
Step 1:

Select a place on the panel (or wall) where you will mount the Panel PC.

Step 2:

Cut out a shape on the panel that corresponds to the Panel PC's rear dimensions (359mm x 194mm) and ensure that the Panel PC can be fitted into the panel properly.

The flat panel thickness is less than 3mm. Be sure to route or trim down the thick wall to 3 mm or slightly less for the clamps to recess and be compatible with your wall or enclosure.



Step 3:

Insert the Panel PC from the outside surface of the panel into the mounting hole until it is properly fitted against the panel.

Step 4:

Position the mounting clamps along the rear edges of the Panel PC and insert them into the slits around the Panel PC.

Step 5:

The first and second clamps must be positioned and secured diagonally prior to mounting the rest of the clamps. Tighten the clamp's screw using an electric screwdriver by pressing the white plastic cap onto the back of the panel. The illustration below shows that all clamps are properly mounted.

Installing an Antenna

Before installing the antenna, please make sure that the following safety cautions are wellattended.

1. Make sure the PC and all other peripheral devices connected to it has been powered down.
2. Disconnect all power cords and cables.

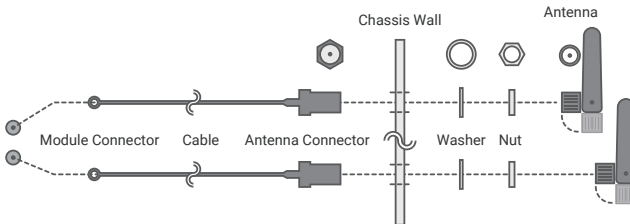
Step 1:

There are antenna holes reserved on the right side of the system and by default covered by rubber plugs. Please remove the plug prior to installing an antenna.



Step 2:

Connect the internal cable to the board's antenna connector, screw the antenna connector through the antenna hole with washers and nuts, and screw on the antenna as illustrated below.



DFI reserves the right to change the specifications at any time prior to the product's release. This QR may be based on the product's revision. For more documentation and drivers, please visit the download page at www.dfi.com/downloadcenter, or via the QR codes to the right.

